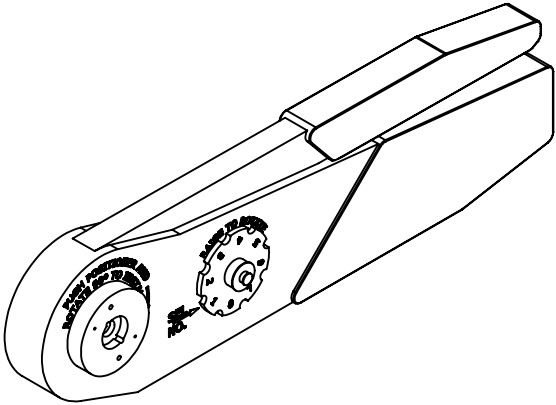
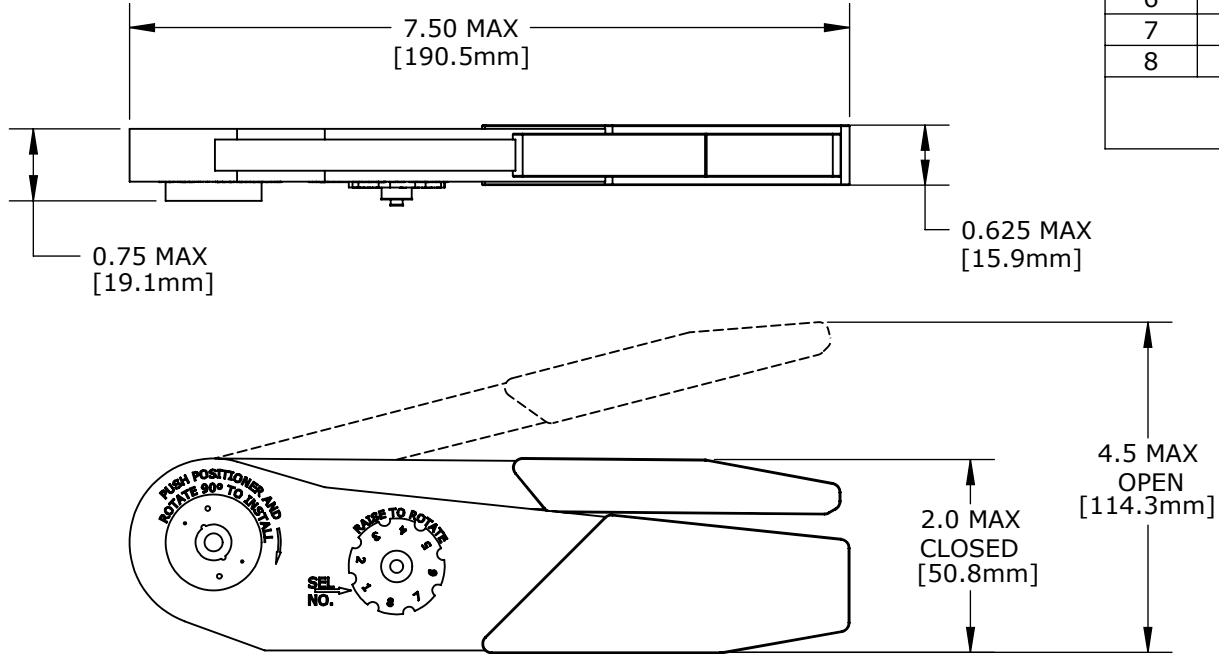


PART NUMBER: 359-21 CUSTOMER PRINT

GAGING LIMITS		
SEL. NO.	GAGE-INSPECTION	
	GO DIA ±.0001	NO-GO DIA ±.0001
1	.0130	.0180
2	.0160	.0210
3	.0190	.0240
4	.0220	.0270
5	.0260	.0310
6	.0300	.0350
7	.0340	.0390
8	.0390	.0440

NOTES:
 1. TO BE USED WITH POSITIONER P/N: 357-122, 357-125, 357-126, 357-127
 2. DIMENSIONS ARE REFERENCE ONLY



PROPRIETARY

THIS DOCUMENT CONTAINS CONFIDENTIAL INFORMATION PROPRIETARY TO CONXALL CORPORATION. ANY REPRODUCTION, DISCLOSURE, OR USE OF THIS DOCUMENT /INFORMATION IS EXPRESSLY PROHIBITED UNLESS AUTHORIZED IN WRITING BY CONXALL CORPORATION.

DIMENSIONS IN BRACKET [] ARE METRIC.

B	AN	06-15-17	CREATED SHEET PER DOR 17-7819JS		
REV.	INIT.	DATE	DESCRIPTION		
ALL INFORMATION ILLUSTRATED IS THE PROPERTY OF CONXALL CORPORATION. UNAUTHORIZED DUPLICATION OR DISTRIBUTION OF THIS DOCUMENT IS PROHIBITED.			ORIG. DRAWN BY: BZ	DATE: 01-30-09	 601 E. WILDWOOD VILLA PARK, IL 60181
ALL UNITS ARE IN FEET, INCHES, FRACTION OF INCHES AND DECIMALS.			CHECKED BY:	APPROVED BY:	
= CRITICAL CHARACTERISTIC FLAG PER SPEC. XXXX			SCALE: NTS	SIZE: A	SHEET: 1 OF 1
			FILE: 359-21	DIRECTORY: SLW	CUSTOMER: STANDARD PRODUCT
			PART NUMBER: 359-21		REV B