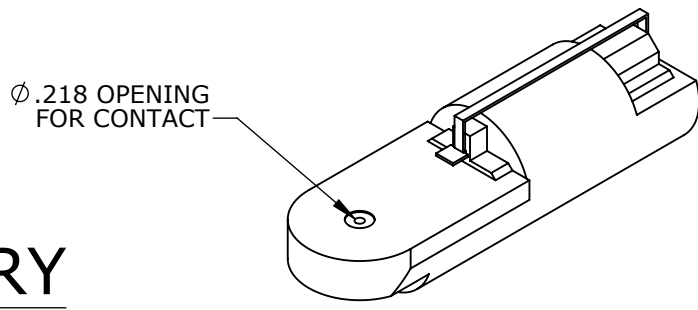
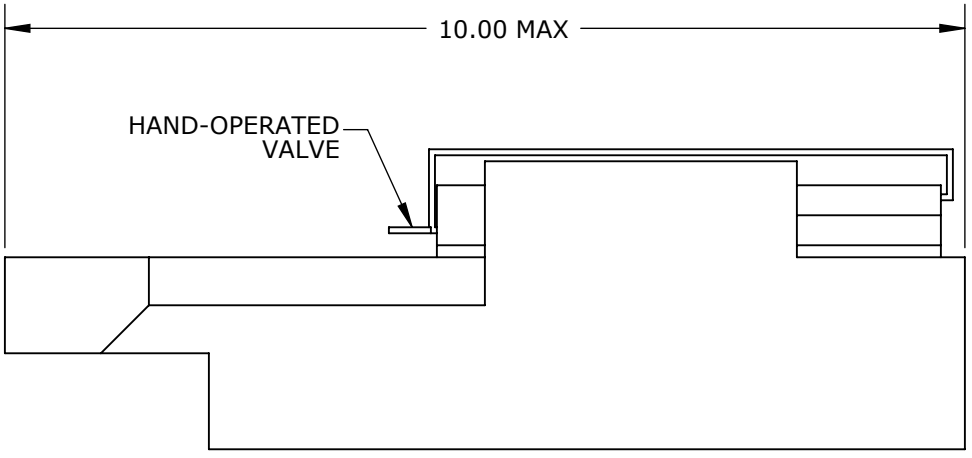
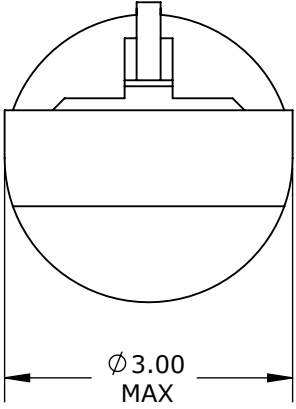


PART NUMBER: 359-1 **CUSTOMER PRINT**

DIE CLOSURES		
SEL NO.	Ø GO	Ø NO-GO
1	.0280	.0330
2	.0320	.0370
3	.0360	.0410
4	.0390	.0440
5	.0450	.0500
6	.0520	.0570
7	.0590	.0640
8	.0680	.0730


USE GAGE DMC P/N: G125 AT SELECTOR SETTING 4

NOTES:
 1. DIMENSIONS ARE FOR REFERENCE ONLY
 2. USED WITH BASE MOUNT: CXA P/N: 359-3



PROPRIETARY

THIS DOCUMENT CONTAINS CONFIDENTIAL INFORMATION PROPRIETARY TO CONXALL CORPORATION. ANY REPRODUCTION, DISCLOSURE, OR USE OF THIS DOCUMENT /INFORMATION IS EXPRESSLY PROHIBITED UNLESS AUTHORIZED IN WRITING BY CONXALL CORPORATION.

B	AN	01-14-14	RELEASED PER DOR 14-E149SL #2
A	BZ	01-30-09	DRAWING CREATED PER DOR 09-1201JS
REV.	INIT.	DATE	DESCRIPTION
ALL INFORMATION ILLUSTRATED IS THE PROPERTY OF CONXALL CORPORATION. UNAUTHORIZED DUPLICATION OR DISTRIBUTION OF THIS DOCUMENT IS PROHIBITED.		ORIG. DRAWN BY: BZ	DATE: 01-30-09
ALL UNITS ARE IN FEET, INCHES, FRACTION OF INCHES AND DECIMALS.		CHECKED BY:	 601 E. WILDWOOD VILLA PARK, IL 60181
= CRITICAL CHARACTERISTIC FLAG PER SPEC. XXXX		APPROVED BY:	
SCALE	SIZE	SHEET	CUSTOMER: STANDARD PRODUCT
NTS	A	1 OF 1	
FILE:	359-1	DIRECTORY:	PART NUMBER: 359-1
		SLW	REV B