

PART NUMBER: 358-112

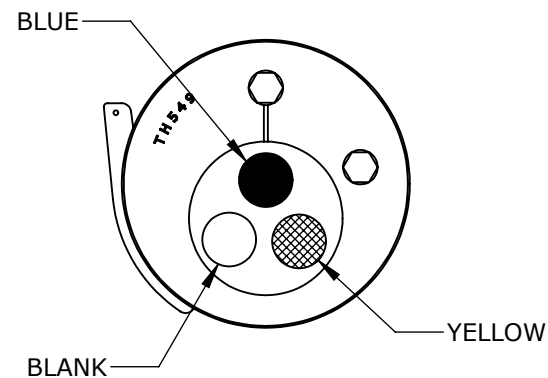
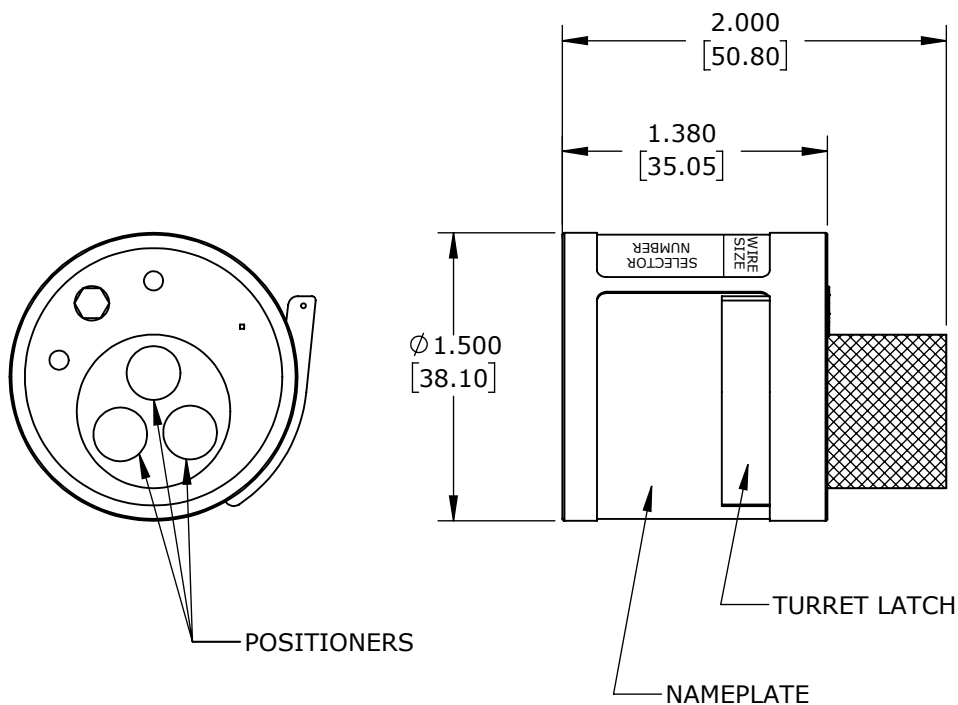
CUSTOMER PRINT

NOTES:

1. SEE LABEL FOR APPLICABLE CONTACTS
2. ALL DIMENSION ARE REFERENCE

CONXALL CONTACTS		COLOR CODE	20	18	16	14	12	WIRE SIZE
650-SG 689-PG	650-SS 689-PS	BLUE	4	5	6			SELECTOR NUMBER
488-SG 489-PG	488-SS 489-PS	YELLOW			6	7	8	
CONXALL 358-112								


LABEL



PROPRIETARY

THIS DOCUMENT CONTAINS CONFIDENTIAL INFORMATION PROPRIETARY TO CONXALL CORPORATION. ANY REPRODUCTION, DISCLOSURE, OR USE OF THIS DOCUMENT /INFORMATION IS EXPRESSLY PROHIBITED UNLESS AUTHORIZED IN WRITING BY CONXALL CORPORATION.

DIMENSIONS IN BRACKET [] ARE METRIC.

E	AN	05-10-19	CREATED SHEET PER DOR 17-7819JS	
REV.	INIT.	DATE	DESCRIPTION	
ALL INFORMATION ILLUSTRATED IS THE PROPERTY OF CONXALL CORPORATION. UNAUTHORIZED DUPLICATION OR DISTRIBUTION OF THIS DOCUMENT IS PROHIBITED.			ORIG. DRAWN BY:	DATE:
ALL UNITS ARE IN FEET, INCHES, FRACTION OF INCHES AND DECIMALS.			TAG	05-25-00
= CRITICAL CHARACTERISTIC FLAG PER SPEC. XXXX			CHECKED BY:	 601 E. WILDWOOD VILLA PARK, IL 60181
			APPROVED BY:	
SCALE	SIZE	SHEET	DATA PLATE	
NTS	A	1 OF 1	TURRET HEAD TH-549 FOR CRIMP TOOL AF8	
FILE:	DIRECTORY:	PART NUMBER:	CUSTOMER: CONXALL	
358-112	SLW	358-112		
			REV	E