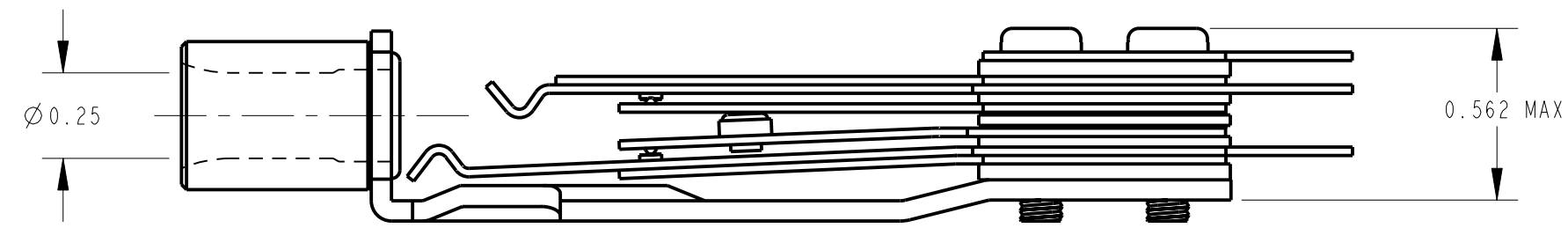
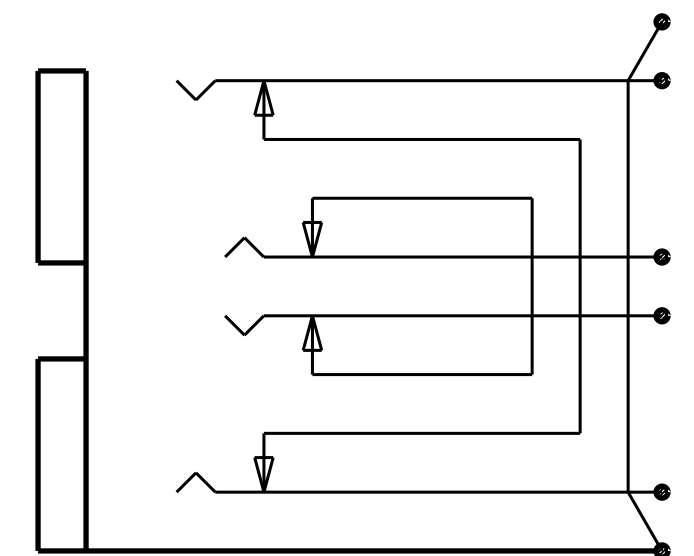
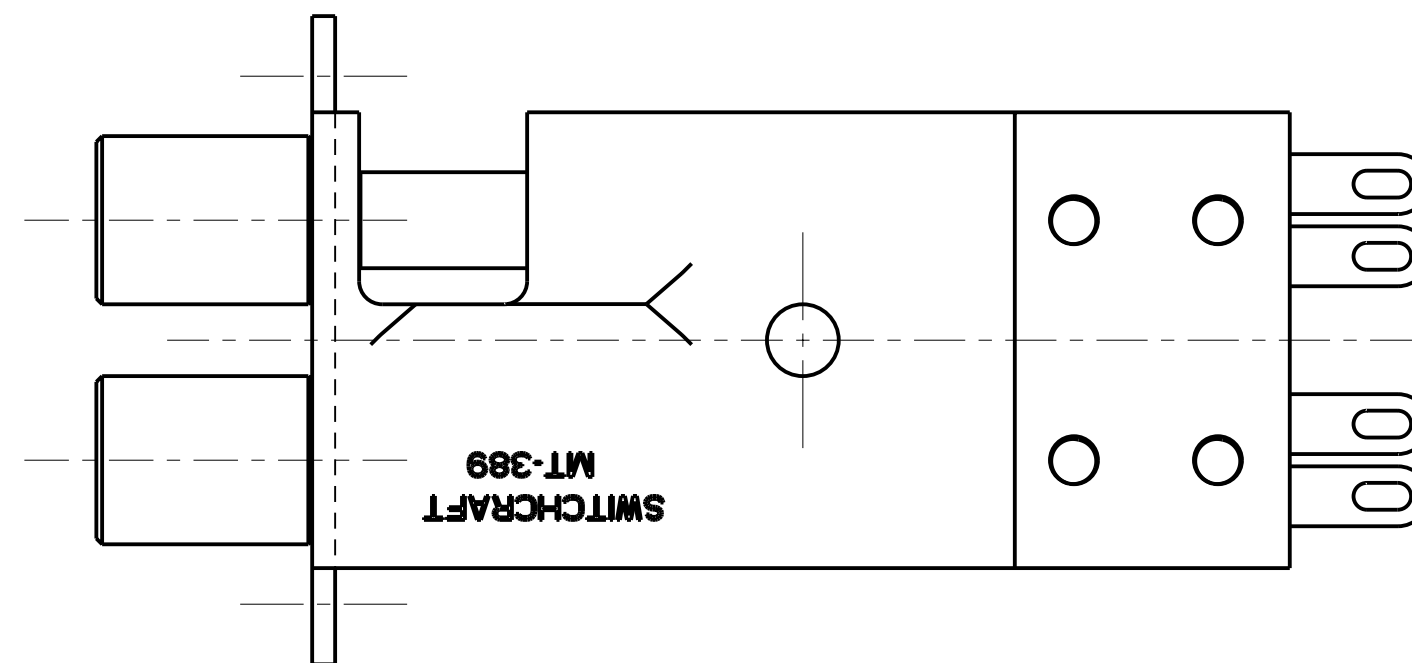
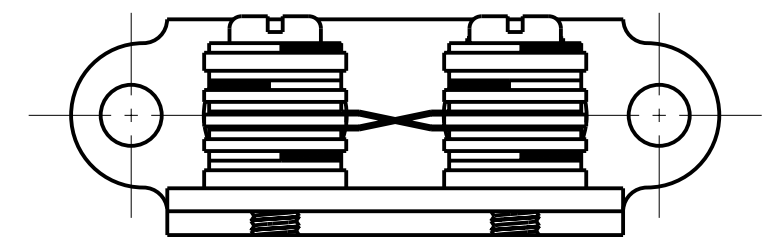


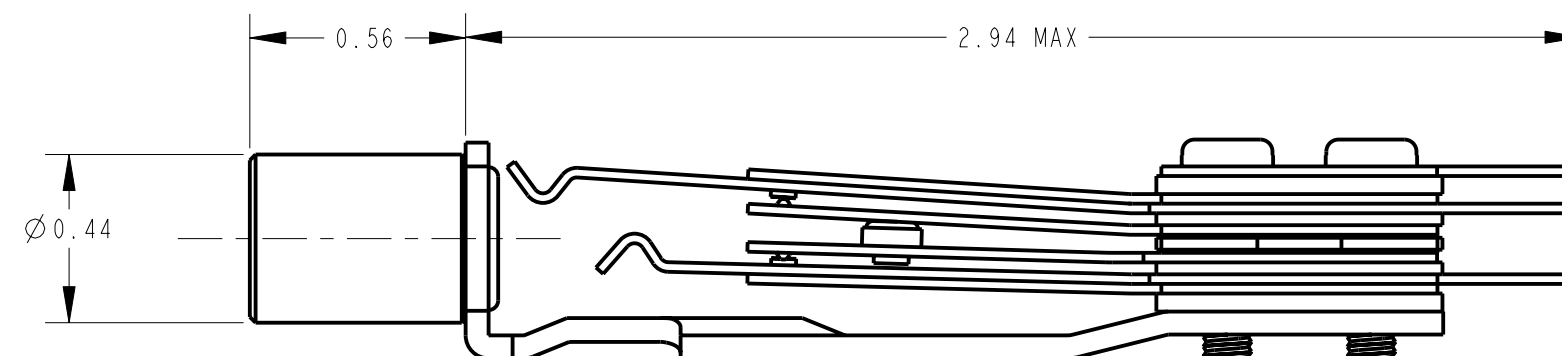
SCALE 3:2



VIEW A-A WITH VIEW B-B OMITTED



CIRCUIT SCHEMATIC



VIEW B-B

NOTES:

1. MATERIALS
- FRAME - CRS, CADMIUM PLATED
- BUSHING - COPPER ALLOY, NICKEL PLATED
- SPRINGS - SPRING TEMPERED COPPER ALLOY
- SOLDER LUGS - HOT TIN DIPPED
- CONTACTS - PALLADIUM
- SPACERS - PHENOLIC
- INSULATORS - THERMOPLASTIC
- SCREWS - CRS, CADMIUM PLATED

CUSTOMER DRAWING

REV	ECO NUMBER	DATE	BY	APVD
G	ECO #22433	1-25-99	RC	JF
REVISIONS				

★ STAR SYMBOL DENOTES CRITICAL DIMENSION

UNLESS OTHERWISE SPECIFIED

1. ALL DIMENSIONS IN INCHES
- TWO PLACE DECIMALS ±0.01
- THREE PLACE DECIMALS ±0.005
- ANGLES ±1°
- ALL DIA. CONCENTRIC WITHIN 0.005 T.I.R.
2. FEATURES ON THE SAME CENTERLINE MUST BE ALIGNED WITHIN ±0.002
3. REMOVE ALL BURRS

DO NOT SCALE DRAWING

THIS DRAWING DESCRIBES A DESIGN CONSIDERED PROPRIETARY IN NATURE, DEVELOPED AND MANUFACTURED BY SWITCHCRAFT INC. AND IS RELEASED ON A CONFIDENTIAL BASIS FOR IDENTIFICATION PURPOSES ONLY.				
SIZE	WIDTH	MULT	LBS/M	TEMPER
FINISH		MATERIAL		
SPEC No.		SPEC No.		
FIRST USED ON		SCALE		
		2:1		
DATE DRAWN	BY	CHKD	APVD	
28-Jan-00	KGB	RP	AJ	
		11-30-84	2-4-76	
NAME				PART No.
TWIN 3 CONDUCTOR JACK				MT389
				REV
				G

**Switchcraft**

SHEET 1 OF 1