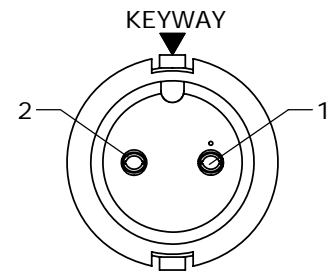


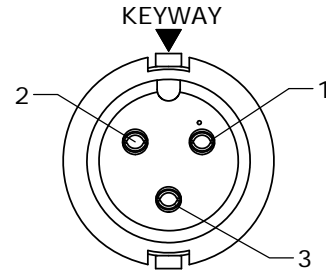
CUSTOMER PRINT

PART NUMBER: 6282-XSG-3XX(CCX)

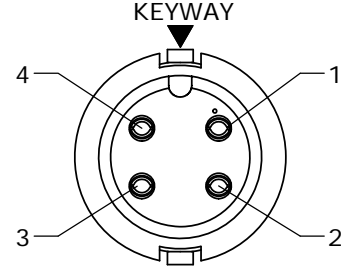
NOTES:
 1. ALL PARTS TO BE BULK PACKED.
 2. CONTACTS TO BE INSERTED IN CONNECTOR



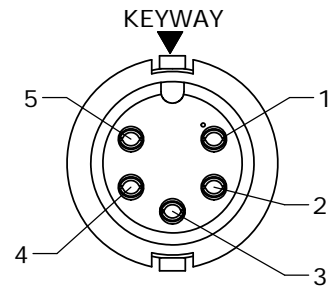
FACE VIEW
 P/N: 6282-2SG-3XX



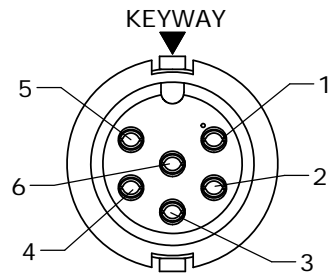
FACE VIEW
 P/N: 6282-3SG-3XX



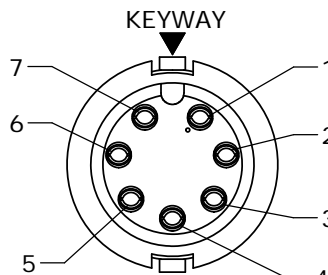
FACE VIEW
 P/N: 6282-4SG-3XX



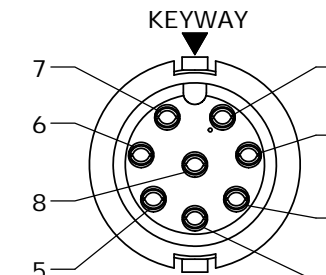
FACE VIEW
 P/N: 6282-5SG-3XX



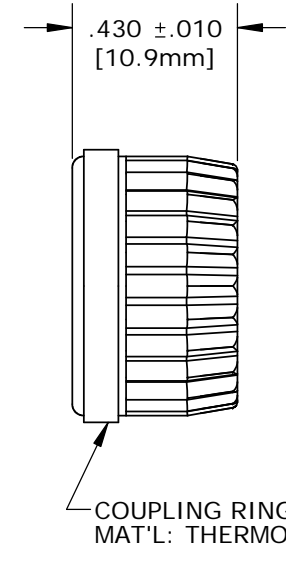
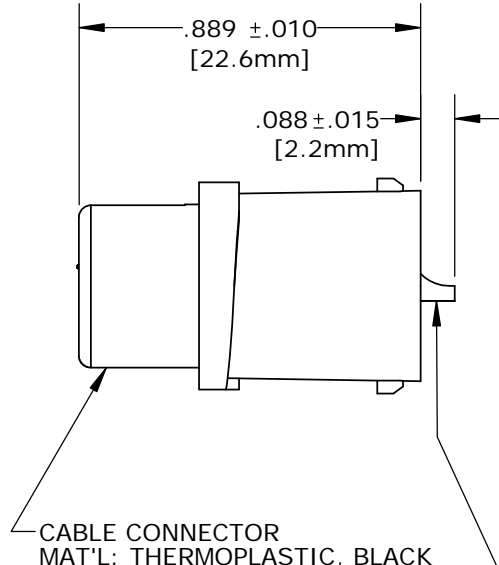
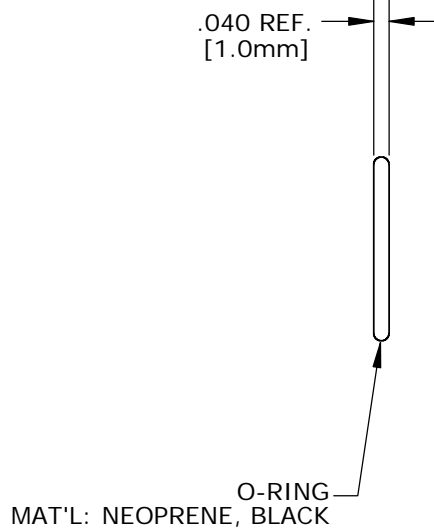
FACE VIEW
 P/N: 6282-6SG-3XX



FACE VIEW
 P/N: 6282-7SG-3XX

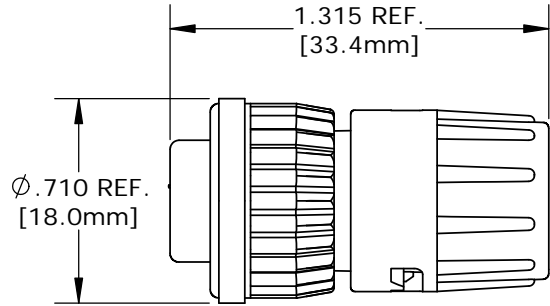


FACE VIEW
 P/N: 6282-8SG-3XX



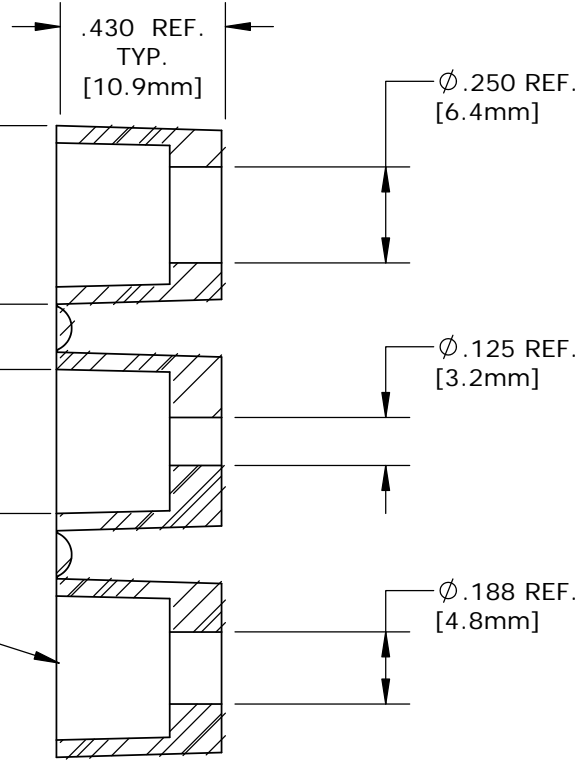
GROMMET, DAISY CHAIN
 MAT'L: RUBBER, BLACK
 FOR 6282-XSG-3DC

(2-8) #20 SOCKET CONTACTS
 MAT'L: GOLD PLATED
 COPPER ALLOY



SHOWN ASSEMBLED KIT
 FOR CUSTOMER REFERENCE ONLY

DIMENSIONS IS BRACKETS [] ARE METRIC



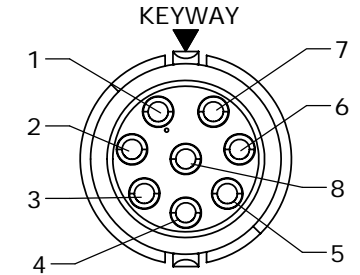
SINGLE GROMMET
 MAT'L: RUBBER, BLACK
 6282-XSG-311 .125 I.D FOR CABLES .09-.14 [2.3-3.5mm] O.D.
 6282-XSG-315 .159 I.D FOR CABLES .15-.17 [3.8-4.3mm] O.D.
 6282-XSG-318 .187 I.D FOR CABLES .18-.20 [4.6-5.1mm] O.D.
 6282-XSG-321 .225 I.D FOR CABLES .21-.23 [5.3-5.8mm] O.D.

NUMBER OF CONTACTS — GROMMET SIZE FOR SINGLE GROMMET OR "DC" FOR DAISY CHAIN

KIT P/N	GROMMET SIZE
6282-XSG-3DC	DAISY CHAIN
6282-XSG-311	CABLE O.D. .09-.14 [2.3-3.5mm]
6282-XSG-315	CABLE O.D. .15-.17 [3.8-4.3mm]
6282-XSG-318	CABLE O.D. .18-.20 [4.6-5.1mm]
6282-XSG-321	CABLE O.D. .21-.23 [5.3-5.8mm]

ASSY P/N	NO. OF CONTACTS
6282-2SG-3XX	2 #20
6282-3SG-3XX	3 #20
6282-4SG-3XX	4 #20
6282-5SG-3XX	5 #20
6282-6SG-3XX	6 #20
6282-7SG-3XX	7 #20
6282-8SG-3XX	8 #20
6282-XSG-3XX	

ASS'Y P/N	COUP. RING COLOR
6282-XSG-3XXCC1	WHITE
6282-XSG-3XXCC2	RED
6282-XSG-3XXCC3	BLUE
6282-XSG-3XXCC4	LIGHT GREY
6282-XSG-3XXCC5	YELLOW
6282-XSG-3XXCC6	MAROON
6282-XSG-3XXCC7	GREEN



WIRE VIEW
 SHOWN 6282-8SG-3XX

CUSTOMER APPROVAL
 THIS DOCUMENT CONTAINS CONFIDENTIAL INFORMATION PROPRIETARY TO CONXALL CORPORATION. ANY REPRODUCTION, DISCLOSURE, OR USE OF THIS DOCUMENT /INFORMATION IS EXPRESSLY PROHIBITED UNLESS AUTHORIZED IN WRITING BY CONXALL CORPORATION.
 APPROVED BY: _____
 DATE: _____

RoHS COMPLIANT

B	SS	11-07-18	ADDED CHART FOR COUPLING RING COLOR PER DOR 18-E149SL #25
A	AN	12-08-16	CONVERTED TO FAMILY DRAWING, ADDED 6282-6SG-3XX, SUPERSEDED 2-5 POS. & 7-8 POS. DRAWINGS. PER DOR 16-E149SL #20
REV.	INIT.	DATE	DESCRIPTION
			ALL INFORMATION ILLUSTRATED IS THE PROPERTY OF "CONXALL CORPORATION". UNAUTHORIZED DUPLICATION OR DISTRIBUTION OF THIS DOCUMENT IS PROHIBITED.
			ALL UNITS ARE IN FEET, INCHES, FRACTION OF INCHES AND DECIMALS.
ORIG. DRAWN BY: AN		DATE: 12-07-16	<p>601 E. WILDWOOD VILLA PARK, IL 60181</p>
CHECKED BY:		APPROVED BY:	
SCALE	SIZE	SHEET	TITLE:
NTS	B	1 OF 1	CABLE CONNECTOR KIT (2-8) #20 SOCKET CONTACTS MINI-CON-X
FILE:	DIRECTORY:	PART NUMBER:	CUSTOMER:
6282-XSG-3XX(CCX)	SLW	6282-XSG-3XX(CCX)	STANDARD PRODUCT
			REV B