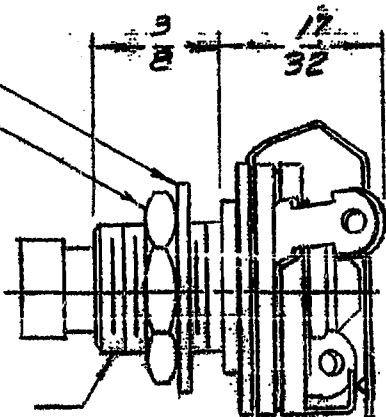


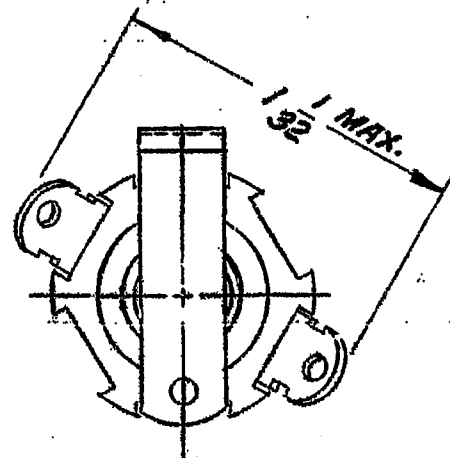
5/8 O.D. STL. WASHER  
NI. PL.  
1/2 NUT BRASS PL.



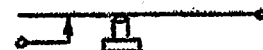
3/8-32 UNEF-2 TH'D

**MATERIALS:**

1. BUSHING - BRASS - NI. PL.
2. SPRINGS - NI. SILVER - SPG. TEMP.
3. SPACERS - PAPER BASE PHENOLIC
4. PUSHBUTTON - RED



CUSTOMER DRAWING



SCHEMATIC

THIS DRAWING DESCRIBES A DESIGN CONSIDERED PROPRIETARY IN NATURE, DEVELOPED AND MANUFACTURED BY SWITCHCRAFT, INC., AND IS RELEASED ON A CONFIDENTIAL BASIS FOR IDENTIFICATION PURPOSES ONLY.

**UNLESS OTHERWISE SPECIFIED:**

1. DECIMAL DIMENSIONS ± .005
2. FRACTIONAL DIMENSIONS ± 1/100
3. ANGLES ± 1/2°
4. ALL DIA'S CONCENTRIC WITHIN .005 T.L.R.
5. ALL DIMENSIONS IN INCHES
6. FOR THREADS USE UNIFIED PLUS AND RING GAGES ONLY.
7. REMOVE ALL BURRS.
8. PART TO BE FABRICATED AS SPECIFIED. MAKE NO DIMENSIONAL ALLOWANCES FOR APPLIED FINISHES, I.E., PLATING, PAINTING, ETC.
9. HOLES ON SAME CENTERLINE MUST BE ALIGNED WITHIN ± .002

DO NOT SCALE DRAWING

DRAWN BY  
*A.P.V.*

DATE  
5-6-64

FINISH

CHECKED BY  
*C. [Signature]*

DATE  
5-19-64

PER FINISH SPEC. NO.

APPROVED BY  
*L.G.*

DATE  
5-19-64

MATERIAL

PER MAT. SPEC. NO.

SCALE  
2:1

FIRST ISSUED ON

**SWITCHCRAFT**

NAME  
**NON-LOCKING**

PART NO.

102

ISSUE

B

**LITTEL SWITCH**

SHEET

OF

REV	DATE	DESCRIPTION
1	5-6-64	INITIAL DRAWING
2	5-19-64	ECO 14111
3	5-19-64	ECO 20627