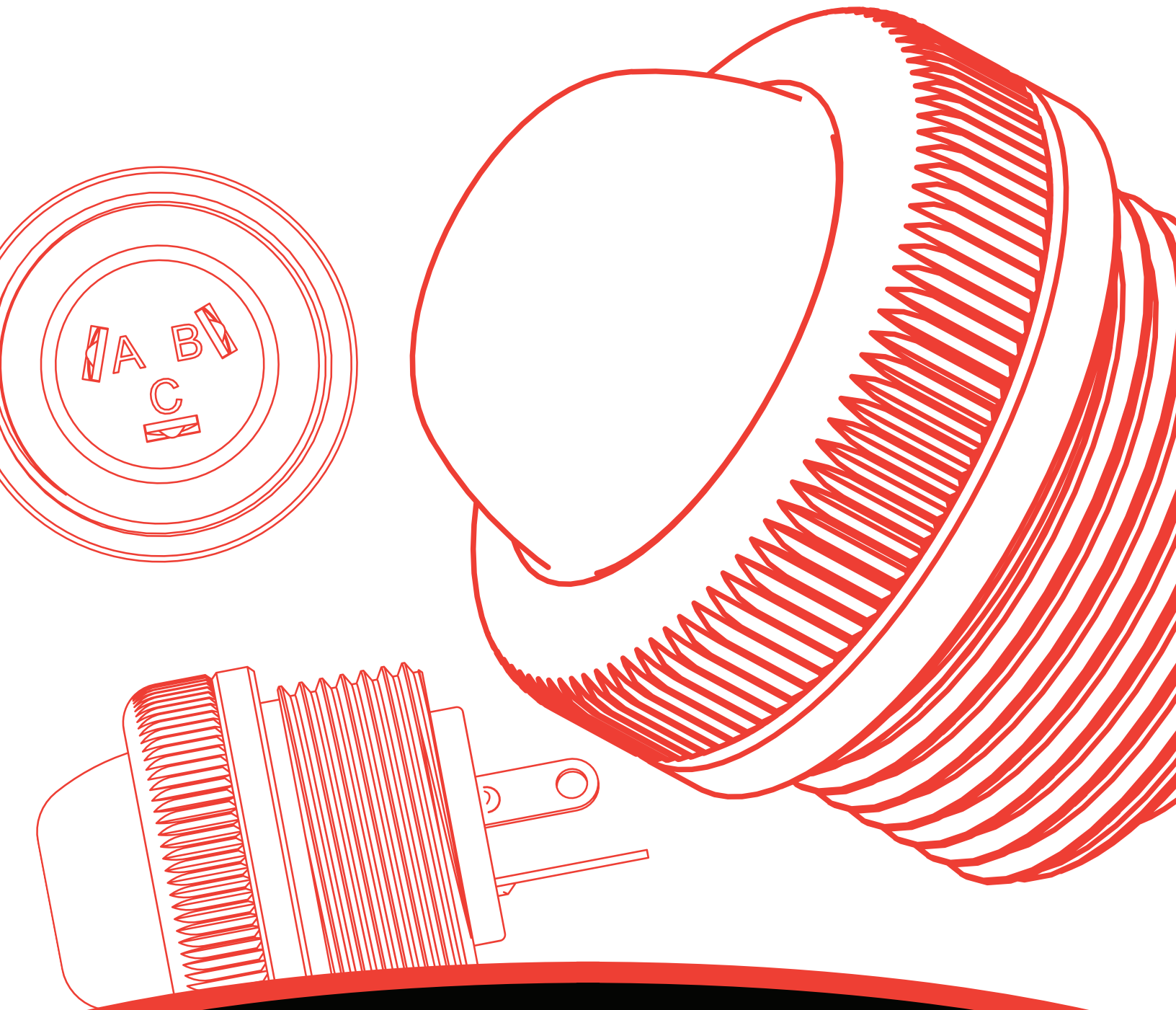


# SWITCHCRAFT®

A H E I C O C O M P A N Y



## SEALED BUTTON SWITCH

NPB | 606

# SEALED BUTTON SWITCH

NPB | 606

## FEATURES & BENEFITS

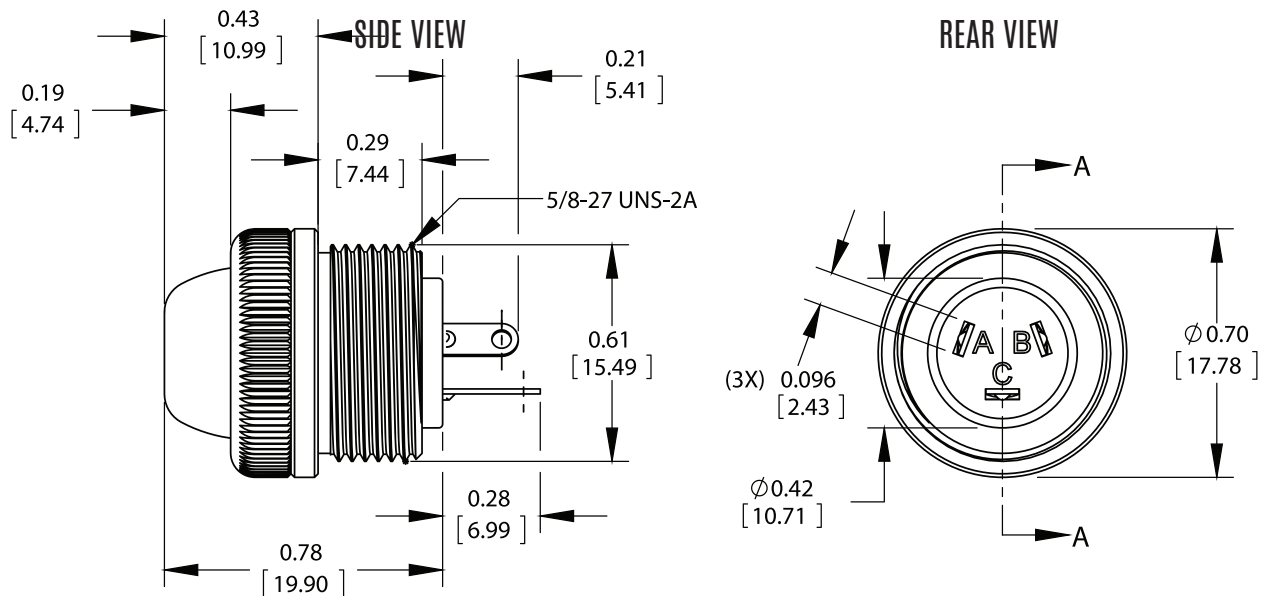
- Rated for up to IP68 NEMA 250
- Rated for 250mA, 30W max, AC non-inductive load
- 913S can be wired for 1-A, 1-B, or 1-C (break before make)
- 913DS can be wired for 1-A, 1-B, or 1-D (make before break)
- RoHS Compliant

## APPLICATIONS

- Communications equipment
- Medical Equipment
- Instrumentation

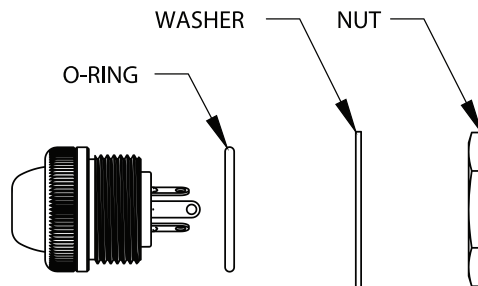
# SEALED BUTTON SWITCH

## NPB | 606



### NOTES:

1. MOUNTING HOLE  $\varnothing 0.615+0.010/-0.000$  [ $\varnothing 16.00+0.25/-0.00$ ]
2. MAX PANEL THICKNESS:  $\leq 0.120$  [3.00]
3. HARDWARE SHIPPED UNASSEMBLED
4. THIS PART IS RoHS COMPLIANT



PART NUMBER	SCHEMATIC	CIRCUIT
913DS 913S		1-A
913DS 913S		1-B
913S		1-C
913DS		1-D

UNITS ARE LISTED IN INCHES [mm]. ALL DIMENSIONS ARE REFERENCE ONLY.

# SEALED BUTTON SWITCH

NPB | 606

## SPECIFICATIONS

### MECHANICAL SPECIFICATIONS

Life:	20,000 actuation cycles with 48VDC, 0.25amps (50 mΩ max) 20,000 actuation cycles with 125VAC, 0.25amps (50 mΩ max)
Conductor Sizes:	16-26 AWG
Operating Forces:	Actuation Force: 2lb. minimum Button Travel: 0.125"

### ELECTRICAL SPECIFICATIONS

Voltage Rating:	48 VDC 125 VAC RMS
Current Rating:	0.25amps with 16-26 AWG wiring
Insulation Resistance:	1000 MΩ minimum
Contact Resistance:	20 mΩ maximum initial
Dielectric Withstanding Voltage:	500 VAC (RMS)
Capacitance:	< 1 pF between contacts, typical < 1 pF between contacts and housing, typical

### ENVIRONMENTAL SPECIFICATIONS

Operating Temperature:	-20C to +70C
Storage Temperature:	-55C to +85C
Moisture Resistance:	Mil-Std 202G Method 106G
Thermal Shock:	Mil-Std 202G Method 107G
Salt Atmosphere (Corrosion):	Mil-Std 202G Method 101E
Weathertight Ratings:	IP68, NEMA 250

### MATERIAL SPECIFICATIONS

Body and Trim:	Copper Alloy, Nickel Plated
Pushbutton:	Thermoplastic, Black
Button Seal:	Thermoplastic Rubber, Black
Insulators:	Rigid Plastic
Springs:	Integral Contacts, Plated
Solder Terminals:	Copper Alloy, Silver Plated
Mounting Nut:	Copper Alloy, Nickel Plated
Mounting Washer:	Steel, Nickel Plated