



NEW PRODUCT BULLETIN 650

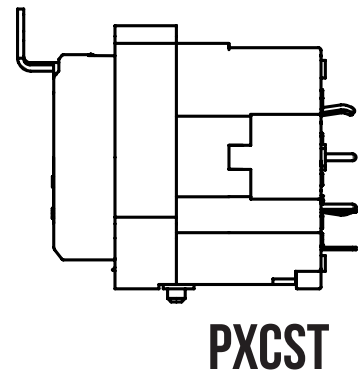
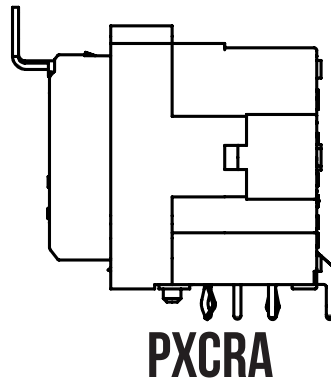
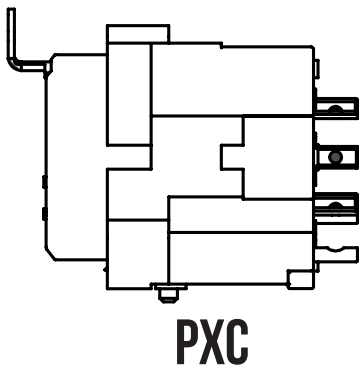
1/4" / XLR  
**COMBO JAX**



**Switchcraft**<sup>®</sup>  
**CONXALL**<sup>®</sup>

HARSH ENVIRONMENT CONNECTIVITY SOLUTIONS

5555 N ELSTON AVE | CHICAGO, IL | 773.792.2700 | SALES@SWITCHCRAFT.COM | WWW.SWITCHCRAFT.COM



NEW  
COMBO JACKS

**TWO AUDIO CONNECTORS IN A SMALL PACKAGE** These new jacks from Switchcraft combine two of the most common audio connectors into a standard "D size" package, making it an excellent space saving option for any compact electronic design. A variety of mounting options are available for maximum flexibility, including solder and PC contacts.



**TWO-IN-ONE  
DESIGN**



**THREE MOUNTING  
OPTIONS**



**QUALITY  
MATERIALS**

A stereo 1/4" [6.35mm] jack and a female XLR are combined into the same package, with separate contacts for each.

Three part numbers are available for design flexibility: vertical PCB mount, horizontal PCB mount, and solder contacts.

These jacks feature gold plated contacts, a silver plated ground spring, and a rugged thermoplastic housing.

PART NUMBER	DESCRIPTION
PXC	Combo Jack with Solder Lugs
PXCST	Combo Jack with Straight PC Terminals
PXCRA	Combo Jack with Right Angle PC Terminals

**SPECIFICATIONS**

Operating Temperature: -30°C to 80°C  
 Storage Temperature: -30°C to 80°C  
 Current Rating: 7.5A (current carry only)  
 Voltage Rating: 50V

**Contact Resistance:**  
 1/4" [6.35mm] Jack: 50 mΩ  
 XLR Connector: 30 mΩ

**Dielectric Strength:**  
 1/4" [6.35mm] Jack: 0.5A, AC 500V  
 XLR Connector: 0.5A, AC 500V

**Life:**  
 1/4" [6.35mm] Jack: 2,000 Cycles  
 XLR Connector: 1,000 Cycles

RoHS Compliant