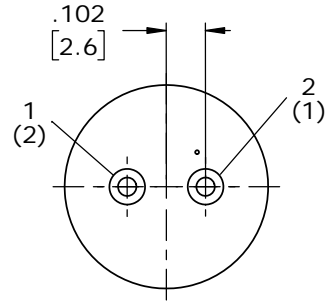


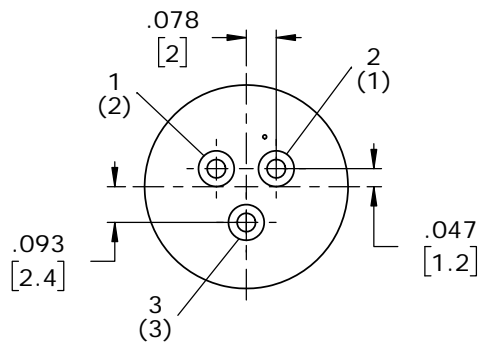
WIRE VIEWS

SEE NOTES 1 & 2

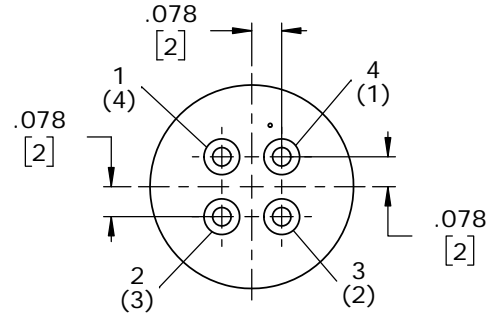
- NOTES:
 1. POSITION NUMBERS SHOWN 1, 2, 3 --- IN WIRE VIEWS ARE FOR CABLE CONNECTORS
 2. POSITION NUMBERS SHOWN (1), (2), (3) --- IN WIRE VIEWS ARE FOR PANEL CONNECTORS



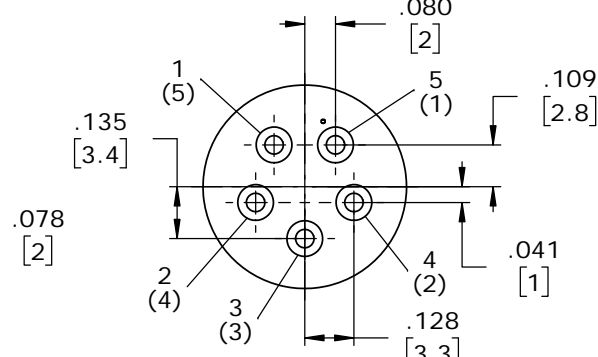
2-#16
PC TAIL $\varnothing.048 \pm .001$ REF.



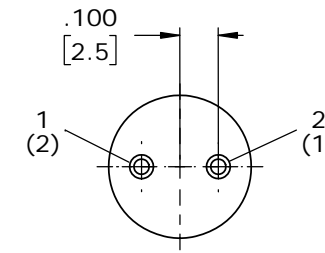
3-#16
PC TAIL $\varnothing.048 \pm .001$ REF.



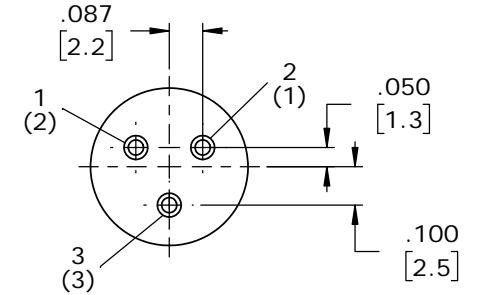
4-#16
PC TAIL $\varnothing.048 \pm .001$ REF.



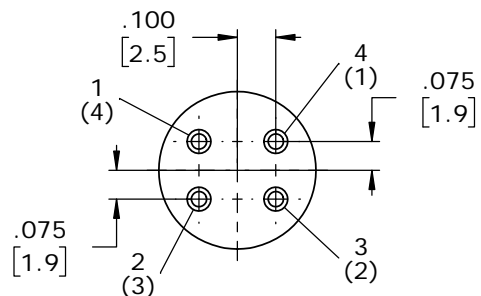
5-#16
PC TAIL $\varnothing.048 \pm .001$ REF.



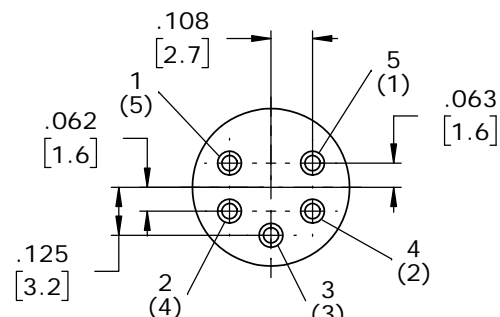
2-#20
PC TAIL $\varnothing.0395 \pm .001$ REF.



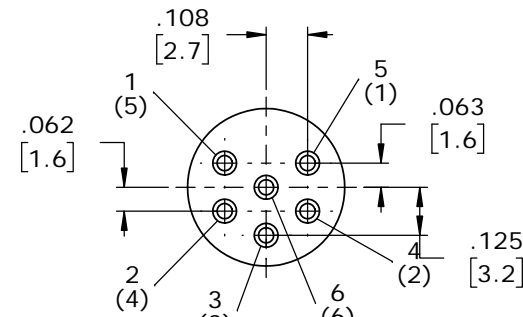
3-#20
PC TAIL $\varnothing.0395 \pm .001$ REF.



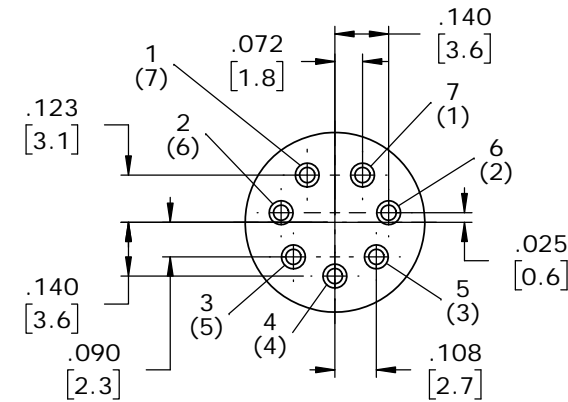
4-#20
PC TAIL $\varnothing.0395 \pm .001$ REF.



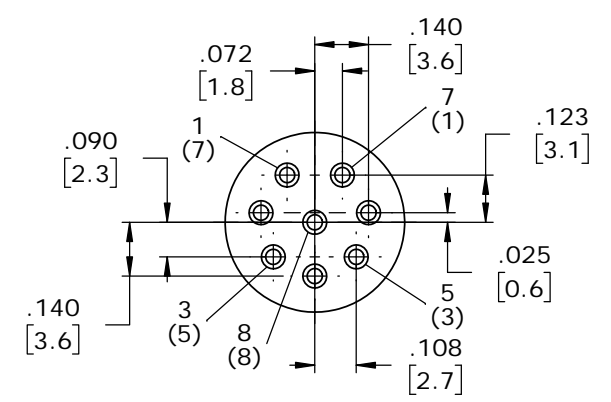
5-#20
PC TAIL $\varnothing.0395 \pm .001$ REF.



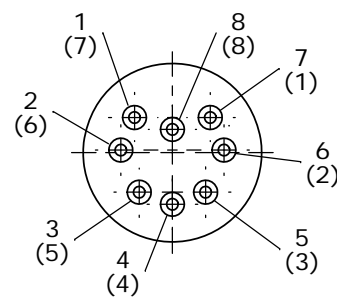
6-#20
PC TAIL $\varnothing.0395 \pm .001$ REF.



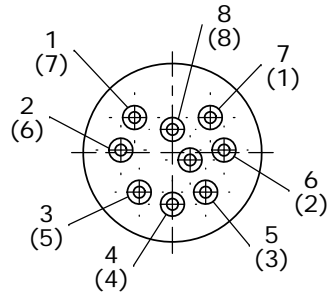
7-#20
PC TAIL $\varnothing.0395 \pm .001$ REF.
CABLE SOCKET & PANEL PIN ONLY



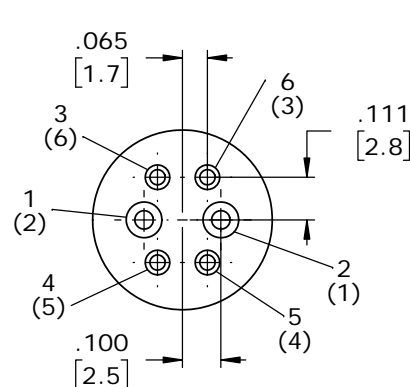
8-#20
PC TAIL $\varnothing.0395 \pm .001$ REF.
CABLE SOCKET & PANEL PIN ONLY



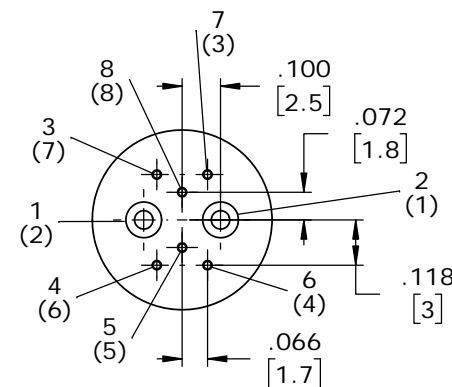
8-#22
PC TAIL $\varnothing.030 \pm .001$ REF.



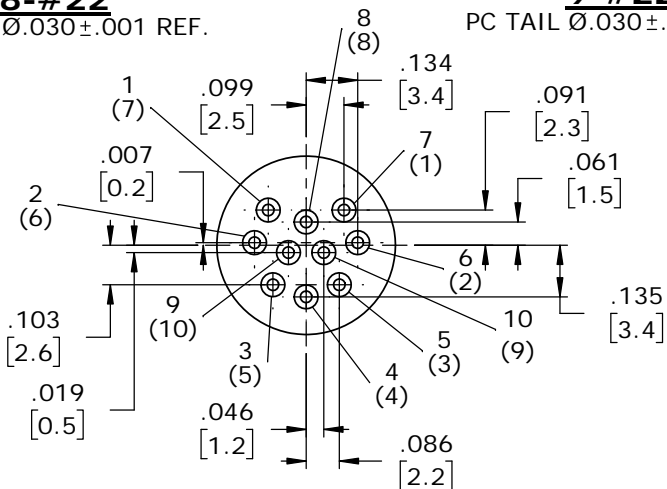
9-#22
PC TAIL $\varnothing.030 \pm .001$ REF.



2-#16 4-#20
#16 PC TAIL $\varnothing.048 \pm .001$ REF.
#20 PC TAIL $\varnothing.0395 \pm .001$ REF.



2-#16 6-#26
#16 PC TAIL $\varnothing.048 \pm .001$ REF.
#26 PC TAIL $\varnothing.020 \pm .001$ REF.



10-#22
PC TAIL $\varnothing.030 \pm .001$ REF.

PART NUMBER: HPMISTD

RoHS COMPLIANT

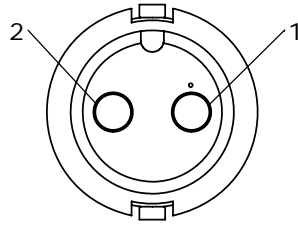
D	MA	01-07-20	ADDED 8, 9, & 10 POS & BOTH MIXED SIGNAL PATTERNS. REDRAWN IN SLW PER DOR 20-E149SL-1
C	AN	03-13-06	ADDED NOTES AND SHEET 3 PER DOR 04-E149JC & ECR 6107
B	AN	05-31-01	ADDED SHEET 2 PER ECR 4092
A	AL	04-27-99	CREATED DRAWING PER DOR 98-5081KN
REV.	INIT.	DATE	DESCRIPTION
	AL	04-27-99	ORIG. DRAWN BY: DATE: 04-27-99
			CHECKED BY:
			APPROVED BY:
			TITLE: HOLE PATTERNS
			MINI-CON-X
			CUSTOMER: STANDARD PRODUCT
SCALE	SIZE	SHEET	
NTS	B	1 OF 3	
FILE:	DIRECTORY:	PART NUMBER:	REV
HPMISTD	SLW	HPMISTD	D



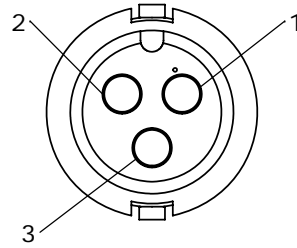
601 E. WILDWOOD VILLA PARK, IL 60181

FACE VIEWS

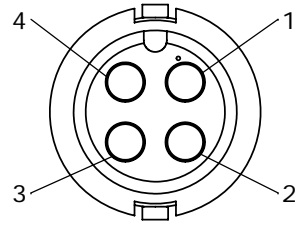
CABLE CONNECTORS



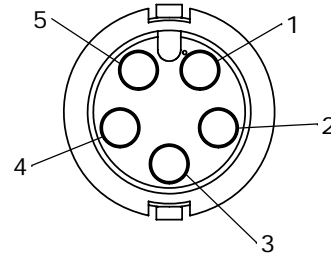
2-#16
16-18 AWG
CRIMP/SOLDER



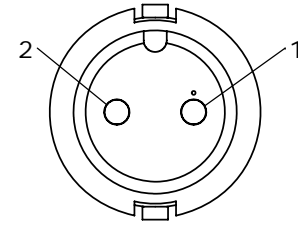
3-#16
16-18 AWG
CRIMP/SOLDER



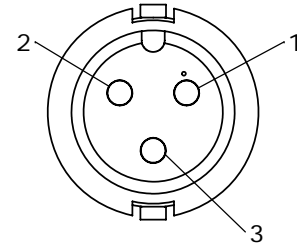
4-#16
16-18 AWG
CRIMP/SOLDER



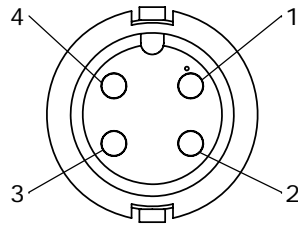
5-#16
16-18 AWG
CRIMP/SOLDER



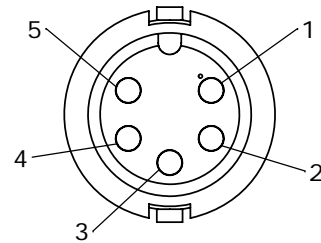
2-#20
20-24 AWG
CRIMP/SOLDER



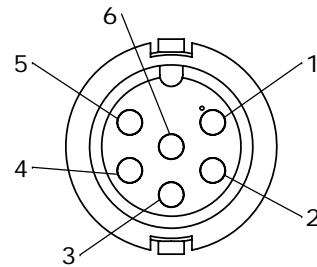
3-#20
20-24 AWG
CRIMP/SOLDER



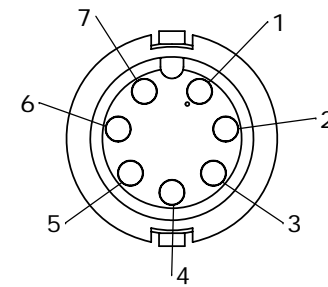
4-#20
20-24 AWG
CRIMP/SOLDER



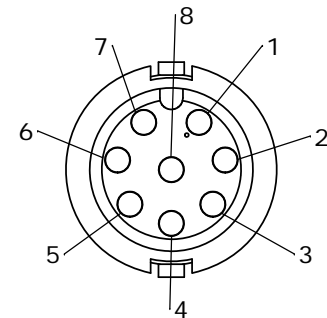
5-#20
20-24 AWG
CRIMP/SOLDER



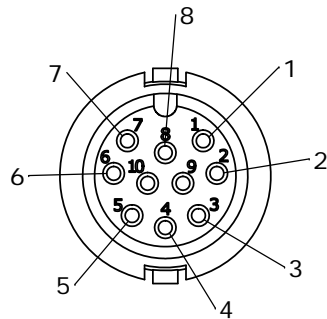
6-#20
20-24 AWG
CRIMP/SOLDER



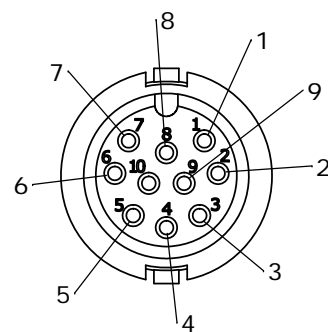
7-#20
20-24 AWG
CRIMP/SOLDER



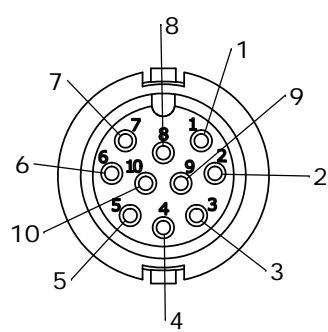
8-#20
20-24 AWG
CRIMP/SOLDER



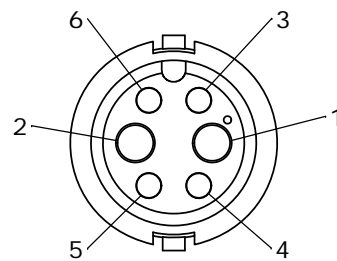
8-#22
22-24 AWG
CRIMP/SOLDER



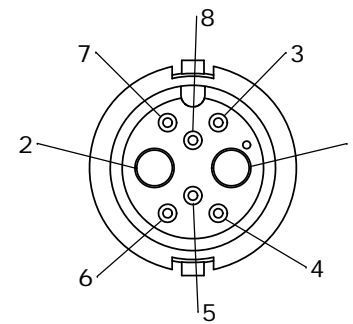
9-#22
22-24 AWG
CRIMP/SOLDER



10-#22
22-24 AWG
CRIMP/SOLDER



2-#16 4-#20
#16 16-18 AWG
#20 20-24 AWG
CRIMP/SOLDER



2-#16 6-#26
#16 16-18 AWG
#26 24-28 AWG
CRIMP/SOLDER

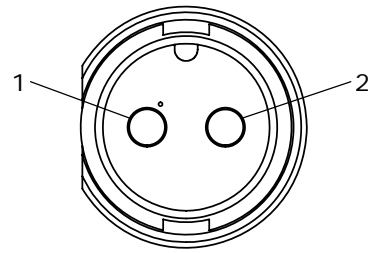
PART NUMBER: HPMISTD

D	MA	01-07-20	ADDED 8, 9, & 10 POS & BOTH MIXED SIGNAL PATTERNS. REDRAWN IN SLW PER DOR 20-E149SL-1
C	AN	03-13-06	SEE SHEET 1
B	AN	05-31-01	SEE SHEET 1
A	AL	04-27-99	CREATED DRAWING PER DOR 98-5081KN
REV.	INIT.	DATE	DESCRIPTION
	AL	04-27-99	ORIG. DRAWN BY: DATE: AL 04-27-99
ALL INFORMATION ILLUSTRATED IS THE PROPERTY OF CONXALL CORPORATION. UNAUTHORIZED DUPLICATION OR DISTRIBUTION OF THIS DOCUMENT IS PROHIBITED.			<p>601 E. WILDWOOD VILLA PARK, IL 60181</p>
<small>ALL UNITS ARE IN FEET, INCHES, FRACTION OF INCHES AND DECIMALS. UNLESS OTHERWISE SPECIFIED TOLERANCES: 3 PLACE DECIMALS ±.005 ANGLES ±1° FRACTIONS ±1/16 - CRITICAL CHARACTERISTIC FLAG PER SPEC. XXXX</small>			
APPROVED BY:		TITLE: HOLE PATTERNS	
SCALE	SIZE	SHEET	
NTS	B	2 OF 3	
FILE:	DIRECTORY:	PART NUMBER:	REV
HPMISTD	SLW	HPMISTD	D

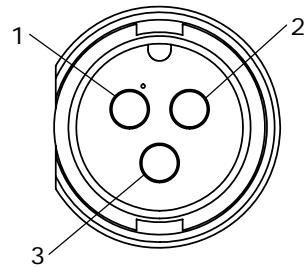
RoHS COMPLIANT

FACE VIEWS

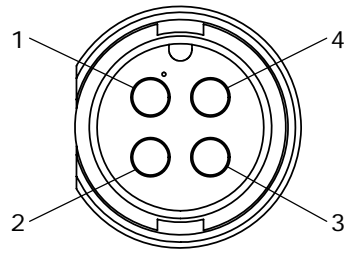
PANEL CONNECTORS



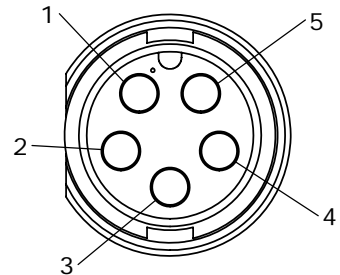
2-#16
16-18 AWG
CRIMP/SOLDER



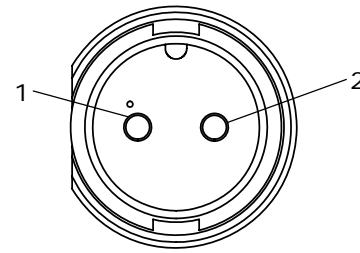
3-#16
16-18 AWG
CRIMP/SOLDER



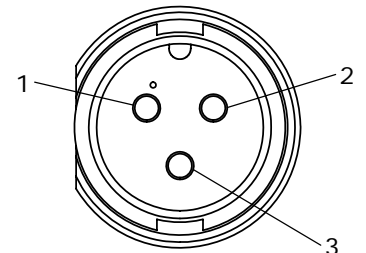
4-#16
16-18 AWG
CRIMP/SOLDER



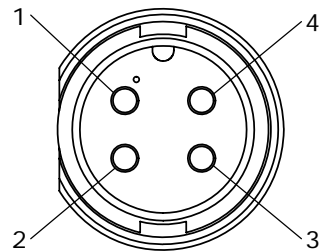
5-#16
16-18 AWG
CRIMP/SOLDER



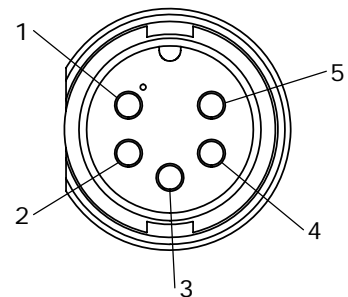
2-#20
20-24 AWG
CRIMP/SOLDER



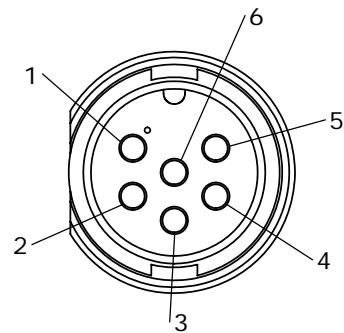
3-#20
20-24 AWG
CRIMP/SOLDER



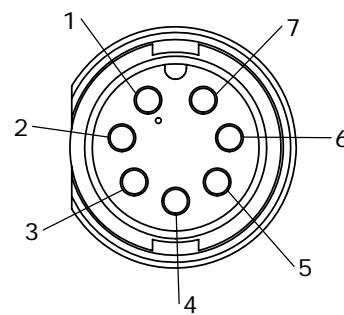
4-#20
20-24 AWG
CRIMP/SOLDER



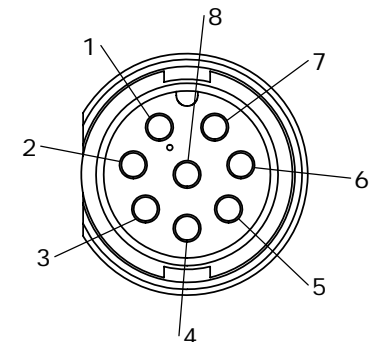
5-#20
20-24 AWG
CRIMP/SOLDER



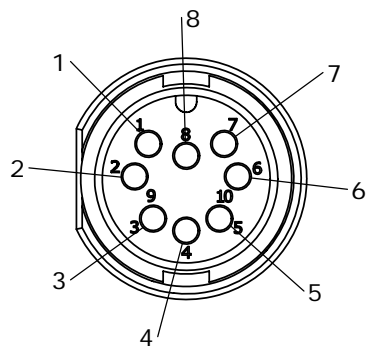
6-#20
20-24 AWG
CRIMP/SOLDER



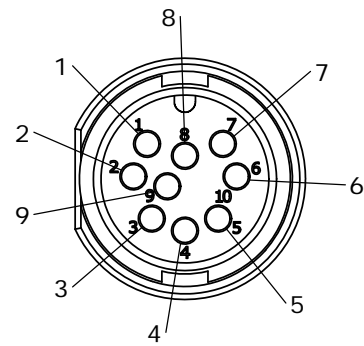
7-#20
20-24 AWG
CRIMP/SOLDER



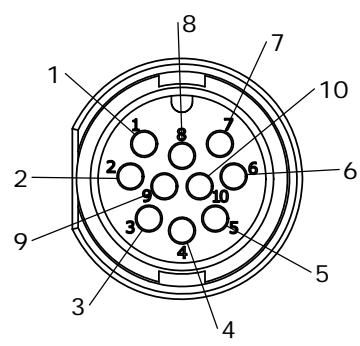
8-#20
20-24 AWG
CRIMP/SOLDER



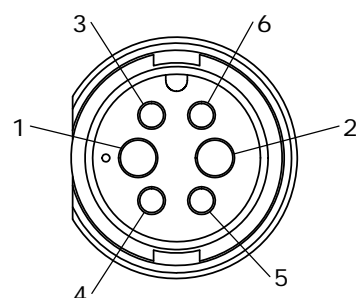
8-#22
22-24 AWG
CRIMP/SOLDER



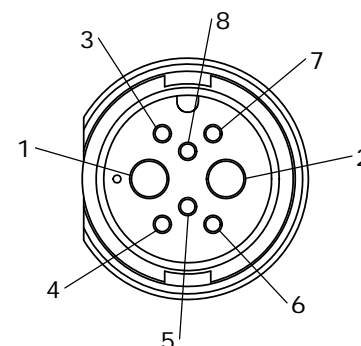
9-#22
22-24 AWG
CRIMP/SOLDER



10-#22
22-24 AWG
CRIMP/SOLDER




2-#16 4-#20
#16 16-18 AWG
#20 20-24 AWG
CRIMP/SOLDER



2-#16 6-#26
#16 16-18 AWG
#26 24-28 AWG
CRIMP/SOLDER

PART NUMBER: HPM1STD

RoHS COMPLIANT

D	MA	01-07-20	ADDED 8, 9 & 10 POS & BOTH MIXED SIGNAL PATTERNS. REDRAWN IN SLW PER DOR 20-E149SL-1
C	AN	03-13-06	CREATED SHEET 3 PER DOR 04-E149JC & ECR 6107
REV.	INIT.	DATE	DESCRIPTION
	AL	04-27-99	ORIG. DRAWN BY: DATE: AL 04-27-99
ALL INFORMATION ILLUSTRATED IS THE PROPERTY OF CONXALL CORPORATION. UNAUTHORIZED DUPLICATION OR DISTRIBUTION OF THIS DOCUMENT IS PROHIBITED.			 601 E. WILDWOOD VILLA PARK, IL 60181
ALL UNITS ARE IN FEET, INCHES, FRACTION OF INCHES AND DECIMALS. UNLESS OTHERWISE SPECIFIED TOLERANCES: 3 PLACE DECIMALS ± .005 ANGLES ± 1° FRACTIONS ± 1/16 - CRITICAL CHARACTERISTIC FLAG PER SPEC. XXXX			
APPROVED BY:		TITLE: HOLE PATTERNS	
SCALE	SIZE	SHEET	
NTS	B	3 OF 3	
FILE:	DIRECTORY:	PART NUMBER:	REV
HPM1STD	SLW	HPM1STD	D